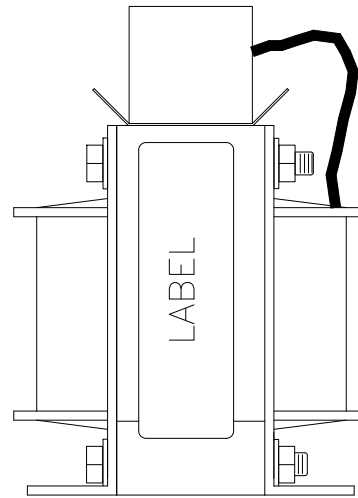
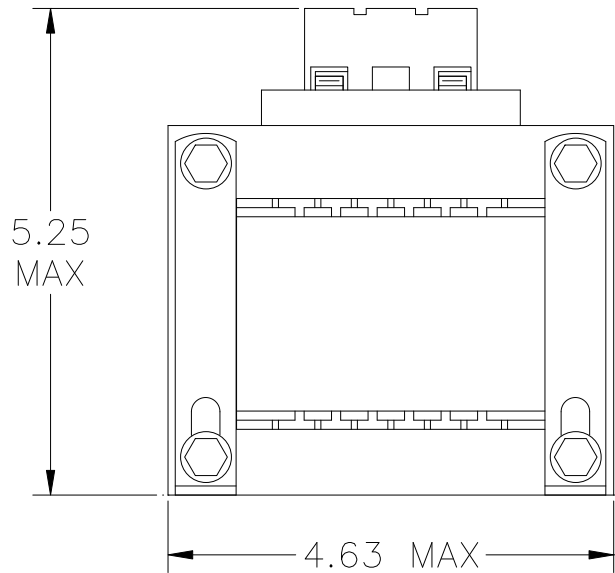
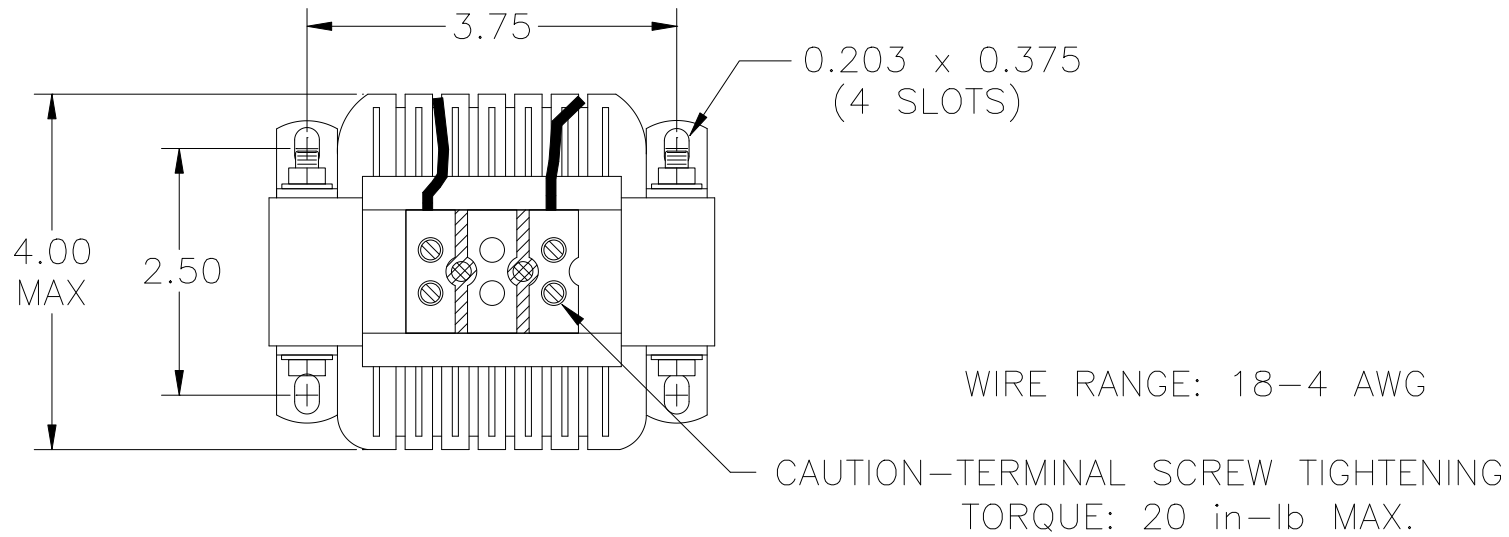


FILE: J:\CUSTDWG\DCA\DCA001804

INDUCTANCE	LOSSES	WEIGHT
3.75 mH	17 Watts	8 Lbs

NO.	CHANGE DESCRIPTION	BY	DATE	C'K'D
-----	--------------------	----	------	-------



UNLESS OTHERWISE SPECIFIED, DIMENSIONS ARE IN INCHES [mm] AND TOLERANCES ARE:

DECI. FRAC.

ANGLES DRILLED HOLES

PART NAME:	DC CHOKE
DESCRIPTION:	OUTLINE DIMENSION
FINISH:	

MTE CORPORATION MENOMONEE FALLS, WISCONSIN			
DCA001804			REV. 00
SCALE	NTS	DATE 06/28/05	C'K'D
REF.	DR. BY AGK	APP'D	